

The Double Rail Heavy Duty Gate from Hardware Specialties is an ideal gate for retail stores where restricted access from store patrons may be required.

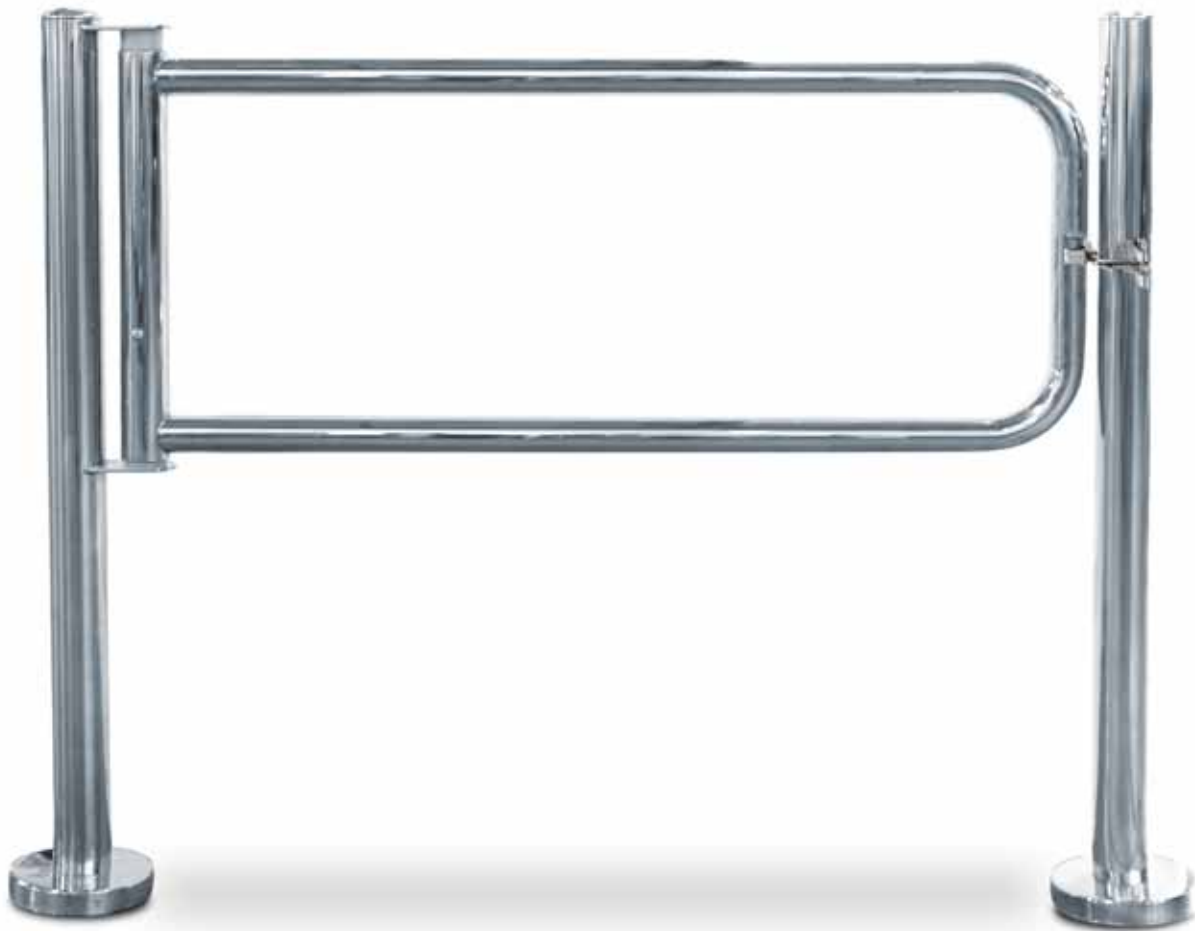
Manufactured in America from quality, polished, stainless steel, each gate undergoes a rigorous usage inspection prior to shipping.

Some uses for the gate may include integration with post and rail systems, entry for patron strollers, store shopping carts, as well as limiting access to restricted areas such as cashier sections, cigarette & liquor sections, or entry to service areas.

Double Rail Heavy Duty Gate: Model V-DR-HDG

Features/Specifications

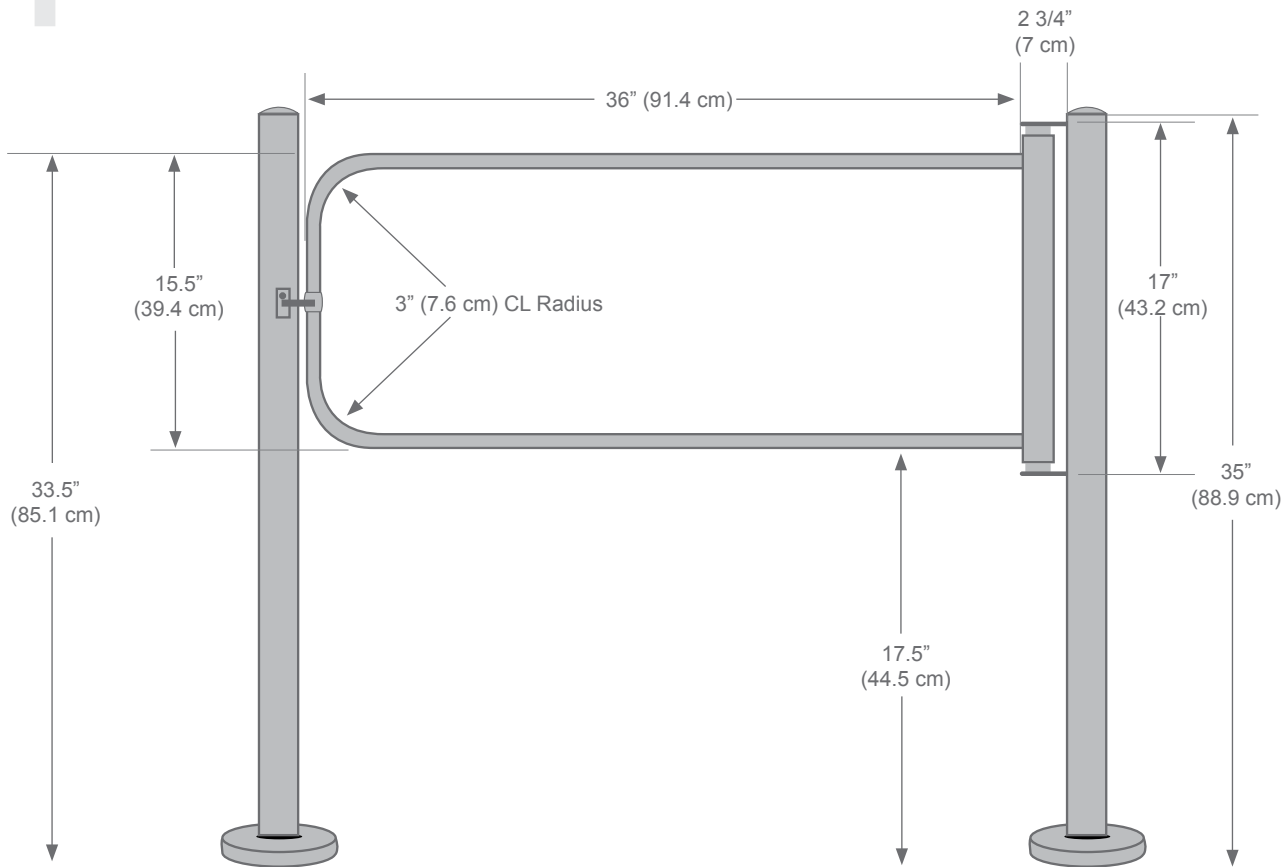
- Available in 36" and 48" clearance
- Comes standard with latch and reversible latch finger
- 5.5" base
- 2.25" post
- Comes standard in polished stainless steel finish. Powder coat finishes are available.



www.hardware specialties.com

761 E. Francis Street. • Ontario, CA 91761 • 909.975.4853 • Fax: 909.975.4863

Specifications



Materials

- Stainless steel gate arm (16-gauge stainless steel)
- All materials meet ASTM standards

Materials Included When Shipped

- Gate assembly
- Latch and reversible latch finger

Material Required

- Mounting hardware (not supplied)

Warranty

Hardware Specialties' standard warranty is effective from date of shipment for a period of one (1) year and covers defects in material or workmanship. Please contact Hardware Specialties customer service representative for details.



www.hardware specialties.com

761 E. Francis St. • Ontario, CA • 91761

Tel: 909.975.4853 • Fax: 909.975.4863