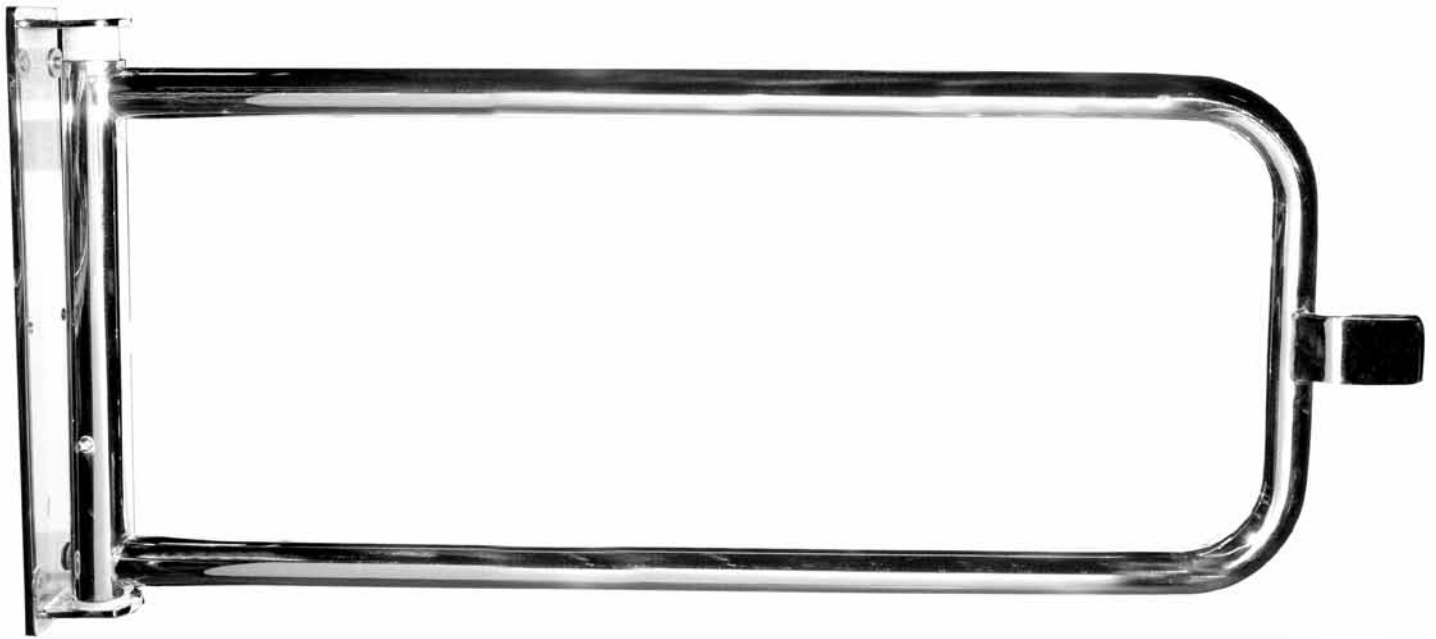


The Double Rail Wall Mounted Gate from Hardware Specialties is an ideal gate for retail stores where restricted access from store patrons may be required.

Manufactured in America from quality, polished, stainless steel, each gate undergoes a rigorous usage inspection prior to shipping.

Some uses for the gate may include limiting access to restricted areas such as cashier sections, cigarette & liquor sections, as well as entry to employee service areas.

For specifications and shipped material, please see the specification guide on the back side.



### Double Rail Wall Mount Gate: Model V-DRHD36WMG

#### Features/Specifications

- Available in 36" and 48" clearance
- Comes standard as single direction w/ reversible stop tab.
- Self-closing
- Bi-directional, self centering available
- Comes standard in polished stainless steel finish. Powder coat finishes are available.

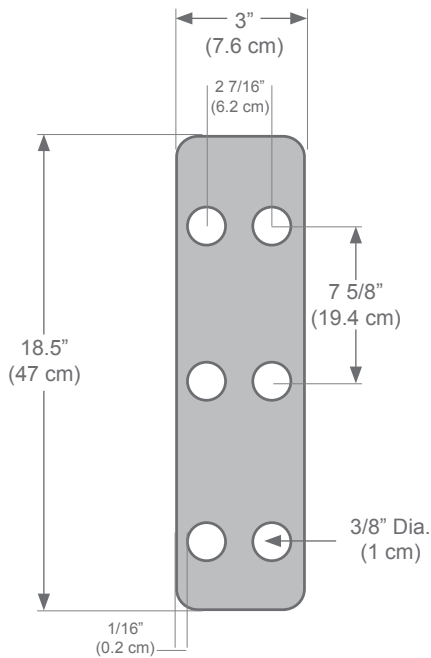


[www.hardware specialties.com](http://www.hardware specialties.com)

761 E. Francis Street • Ontario, CA 91761 • 909.975.4853 • Fax: 909.975.4863

# Specifications

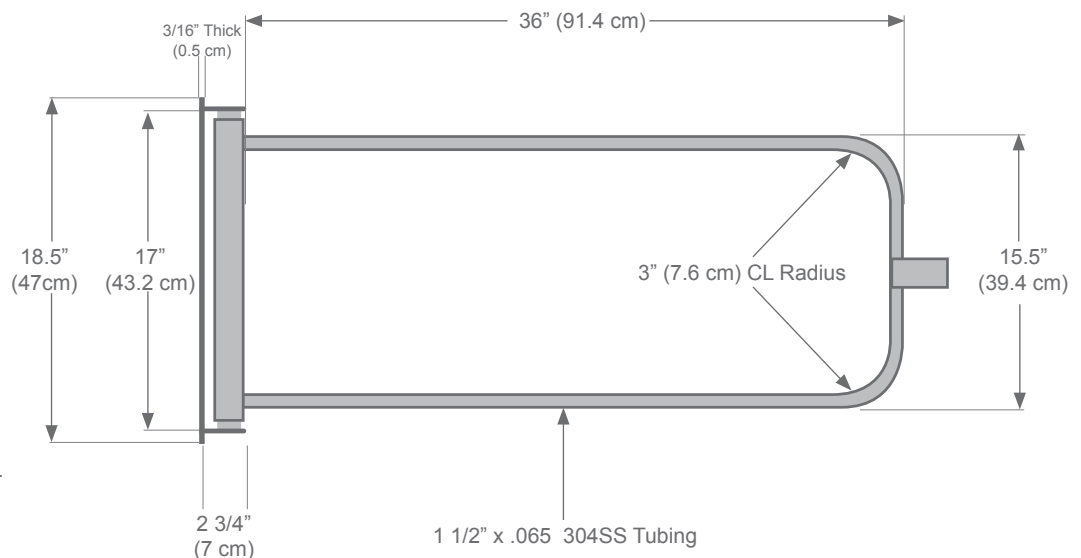
Inside Mounting Plate  
Side View



Edge View



Gate  
Side View



## Materials

- Stainless steel gate arm (16-gauge stainless steel)
- Stainless steel mounting plate - 3/16" x 18 1/2" x 3"
- Carbon steel, reinforcement back plate
- All materials meet ASTM standards

## Materials Included When Shipped

- Gate assembly with mounting plate
- Back plate for reinforcement inside of cabinet

## Material Required

- Mounting hardware (not supplied)

## Warranty

*Hardware Specialties' standard warranty is effective from date of shipment for a period of one (1) year and covers defects in material or workmanship. Please contact Hardware Specialties customer service representative for details.*



[www.hardware specialties.com](http://www.hardware specialties.com)

761 E. Francis Street • Ontario, CA • 91761

Tel: 909.975.4853 • Fax: 909.975.4863