

V-248 Four-Arm Turnstile

Specifications

Designed for facilities looking for medium to high security entrance, the V248 is your patron entry control solution.

Manufactured in America from mostly stainless steel, the V-248 has a width of 33.25" from the center of each end base. For additional security, the V-248 comes with a yoke and the End of Turnstile (ET) post, shown in the photo below.

The V-248 is the ideal solution for retail facilities that want to control the flow of pedestrian traffic as well as control loss prevention from their facilities.

Self-Closing Gate: Model V-248

Features/Specifications

- Single Directional Turnstile (Must specify rotation; clockwise (cw) or counter clockwise (ccw)).
- Rotation can be modified in the field.
- Yoke and ET post included
- Heavy duty construction for a long life
- Rounded radius, welded, end caps to help prevent injuries

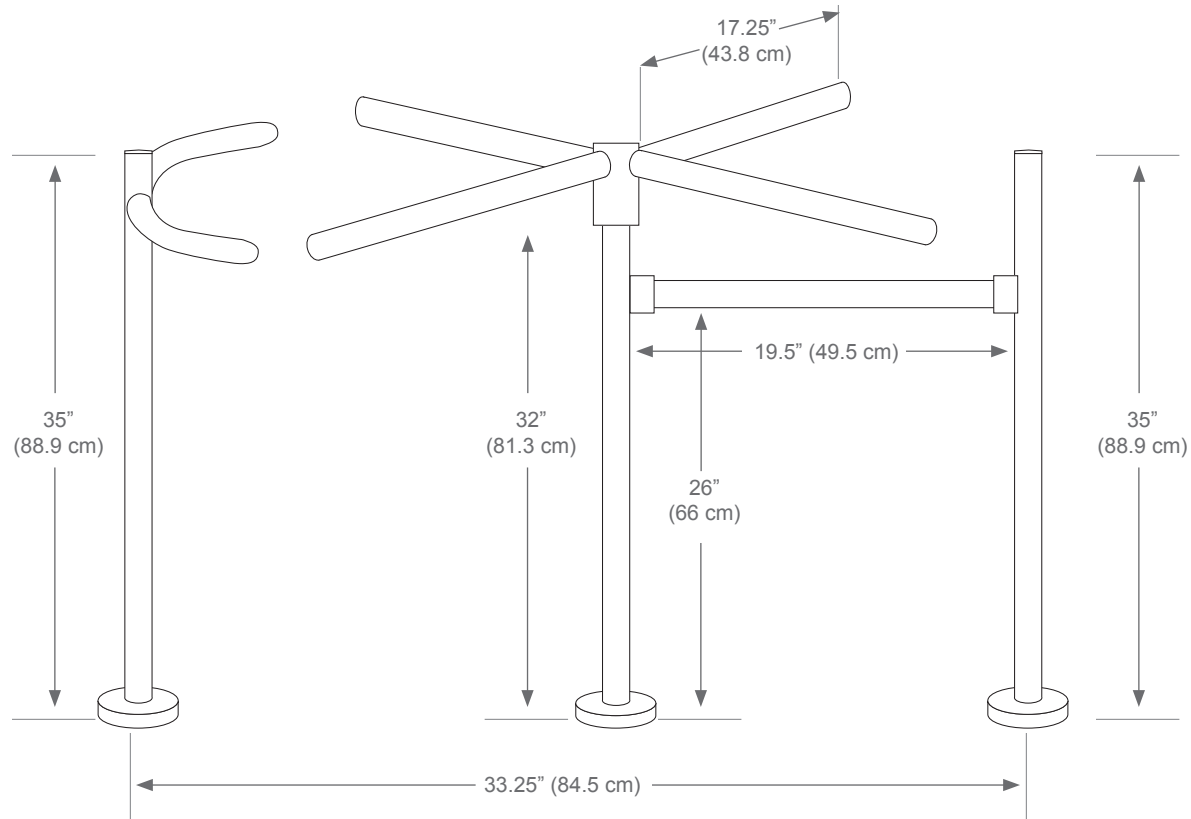


HARDWARE
Specialties
Manufacturers of Sentry Turnstiles

www.hardware specialties.com

2041 E. Locust Ct. • Ontario, CA 91761 • 909.975.4853 • Fax: 909.975.4863

Specifications



Materials

- Stainless steel 4-arm turnstile (16-gauge stainless steel)
- All materials meet ASTM standards

Materials Included When Shipped

- Yoke and ET Post
- 4-Arm Turnstile (V248)

Material Required

- Mounting hardware (not supplied)

Optional Material

- 3/8" Anchor Kit (not supplied)
(Required 3 kits, 1 per post)

Warranty

Hardware Specialties' standard warranty is effective from date of shipment for a period of one (1) year and covers defects in material or workmanship. Please contact Hardware Specialties customer service representative for details.



www.hardware specialties.com

2041 E. Locust Ct. • Ontario, CA • 91761

Tel: 909.975.4853 • Fax: 909.975.4863